

Features (See Diagram):

1. **Free Wheeling** – operated by switch on underside of vehicle.
Use when pushing vehicle by hand.
2. **Forward Drive, High Gear** – operated by switch on underside of vehicle.
Use High Gear for flat surfaces.
3. **Forward Drive, Low Gear** – operated by switch on underside of vehicle.
Use Low Gear for climbing obstacles.

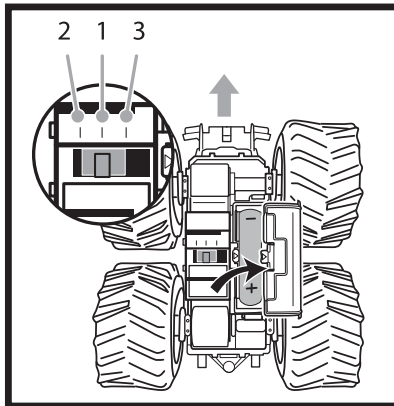
Battery Requirement: 1 “AA” Battery

Battery Installation:

1. Remove battery cover.
2. Insert one “AA” battery. Be sure the (+) and (–) are properly matched.
3. Snap cover back in place.

We wish you many happy hours of pleasure with your New Bright toy.

ENGLISH



NEW BRIGHT